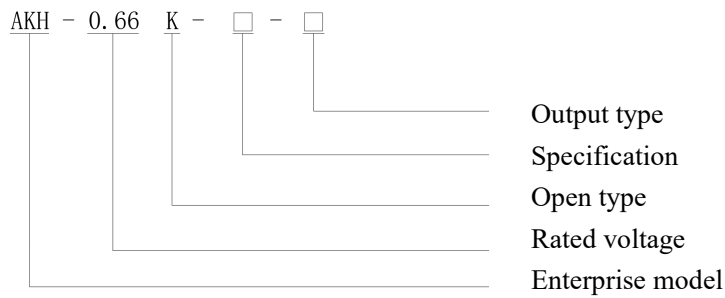


AKH-0.66 K-Φ24 Split type current transformer

1. Product Feature

The product is easy to install and connect and is mainly used for power operation, maintenance, and transformation project, with small-volume, high-precision, strong load capacity, easy installation, and other advantages that can be used with AMC16 multi-loop monitoring instrument.

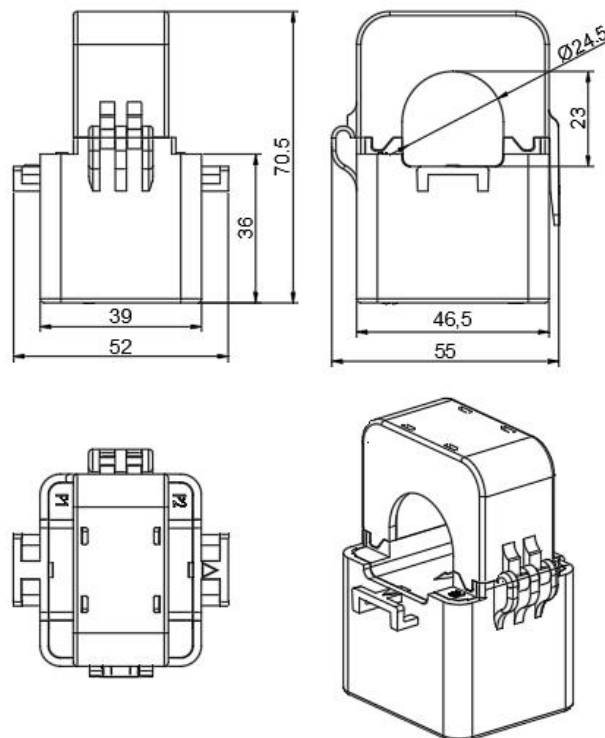
2. Model Description



输出类型: U:mV Output;
M:mA Outout;
A:5A Output;
B:1A Output.

3. Pecifications and Dimensions

3.



4. Cross-reference tables of spec.-parameter

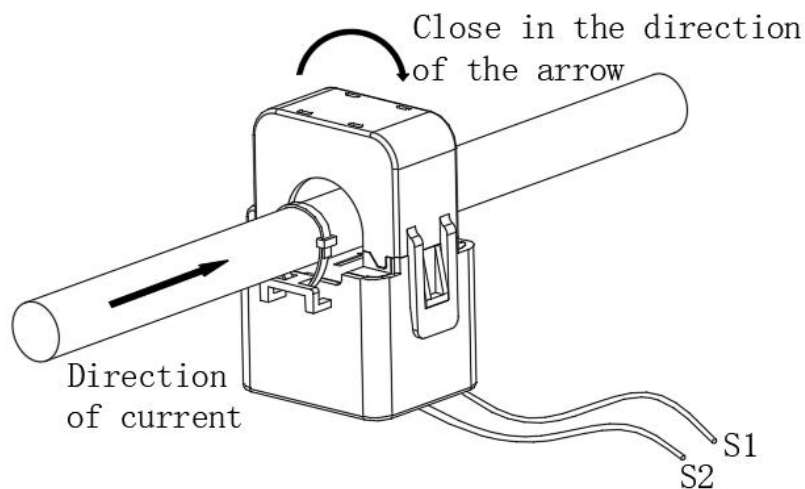


Type	Input	Output	Accuracy Class (VA/ Ω)		Hole size (mm)
			0.5	1	
K- Φ 24-M	(100-400) A	(20-100) mA	10	/	Φ 24
K- Φ 24-U		(100-333) mV	10	/	
K- Φ 24-A	(150-200) A	5A	/	1	
	(250-300) A		/	1.5	
K- Φ 24-B	(150-200) A	1A	/	1	
	(250-300) A		/	1.5	

5. Technical indicators

- Rated operating voltage: AC0.66kV (AC0.69kV, GB/T 156-2017)
- Frequency: 50-60Hz
- Environment: -30°C~+60°C
- Altitude: \leq 3000m
- Power frequency withstand voltage: 3000V/1min 50Hz
- Used in places without direct rain or snow, serious pollution and violent vibration

6. Installation



Note: As shown in the figure above, the output of 1A and 5A is red and black lines, red is S1, black is S2, and the line length is $1m \pm 5cm$. The mV, mA output is black and white twisted pair, white S1, black S2, and the line is $2m \pm 10cm$ long.

Acrel Co.,Ltd

Tel/WhatsApp: 086 188 6162 8731

Address: No31 HongtuRd,Nanzha Jiangyin Jiangsu

Website: www.acrel-electric.uk/

Email: elsie.ren@email.acrel.cn