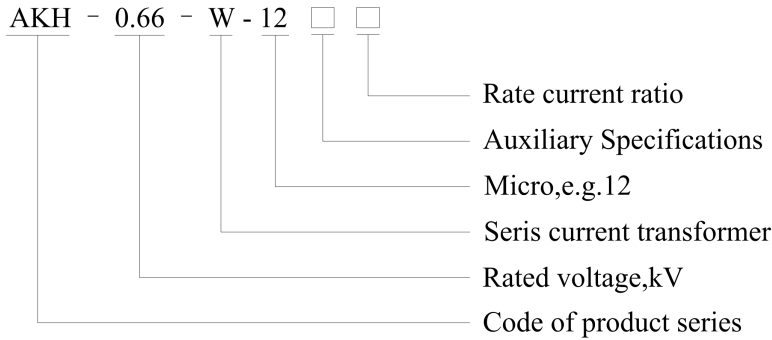


AKH-0.66/W-12 series current transformer

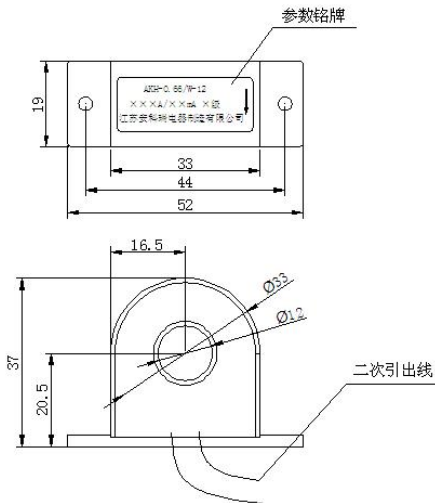
- Product feature

The product is round and the output is small current signal such as 4-20mA. It is matched with multi-loop electric meter (AMC16). Product has the advantages of small size, high accuracy, strong load capacity, easy installation, etc., and can save cost to realizing multi loop monitoring for users.

- Explanation for type



- Spec. and size



Note: Primary current flow from P1 to P2 (Glue surface). The yellow second wiring is S2, the red is S1. The outlet length is 2m + 10cm.

- Cross-reference tables of spec. -parameter

Specification	Rated current ratio	Precision degree and corresponding rated load(Ω)			Straight-through turns	Max. cable outer diameter(mm)
		0.2 class	0.5 class	1 class		
W-12	5/20mA		10		4	Φ 12
	10-15/20mA		10		2	
	20/20mA	10			1	
	30-100/20mA	10			1	
	100A/50mA	10			1	