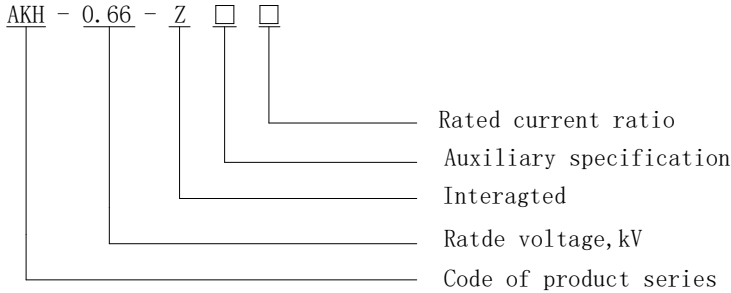


## AKH-0.66/Z-3 × Φ 20 integrated current transformer

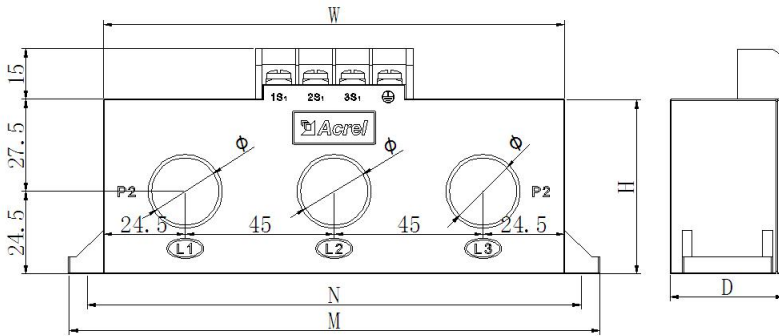
### 1. Product feature

Combined current transformer is also called the three-phase current transformer. As current signal acquisition device, it is generally matched with multi-loop current monitoring device (AMC16), PZ300, moulded case circuit breaker and other products. It can save installation space, reduce the cumbersome wiring, be convenient to use and effectively reduce the cost.

### 2. Explanation for type



### 3. Spec. and size



type	Size (mm)	Outline size (mm)			Through size	Mounting size		Tolerance (mm)
		W	H	D	Φ	M	N	
Z-3 × Φ 20		138	52	34	20	159	148	± 1

### 4. Cross-reference tables of spec. - parameter

Specification	ratio (A)	Precision degree and corresponding rated load (Ω)			Straight-through turns	Max. cable outer diameter (mm)
		0.2	0.5	1.0		
Z-3 × Φ 20	5/5(1)			1.5	20	Φ 20
	10/5(1)			1.5	10	
	15/5(1)			1.5	8	
	20/5(1)			1.5	5	
	25-30/5(1)			1.5	4	
	50-75/5(1)			1.5	2	
	100/5(1)			1.5	1	
	150/5(1)		1.5		1	
	200/5(1)		2.5		1	